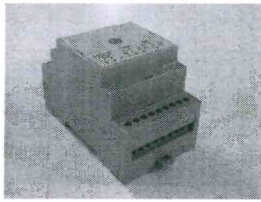



ENKÖA

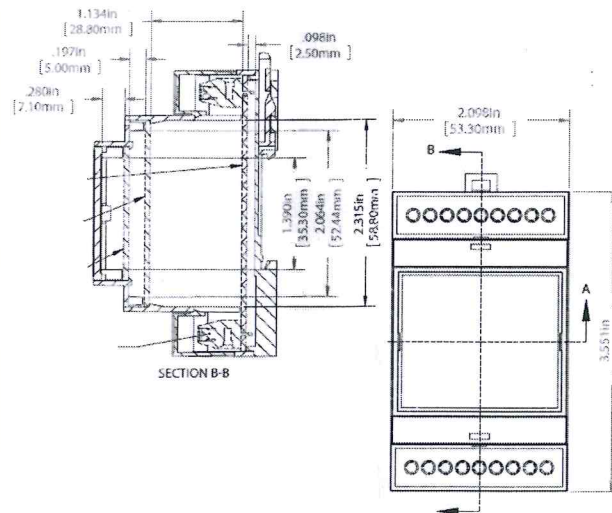


DIN rail mount energy saver without cards for all kind of residential buildings.

- 1.- Check that the energy saver is connected according to the connection diagram.
- 2.- Plug the unit in.
- 3.- The amber led indicates that it is power supplied and working.
- 4.- Press the button on the device for about 20 s until the light begins to blink, in order to make sure that the device doesn't have any synchronized sensors.
- 5.- Synchronize the sensors (motion, door and window) with the energy saver. Place them in the appropriate place in the installation and synchronize them one by one.

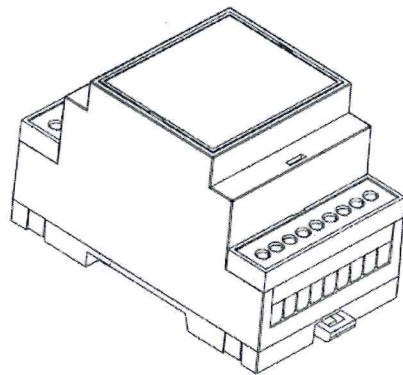
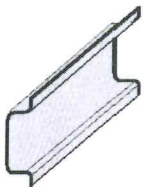
Under no circumstances should more than one energy saver be synchronized at the same time in the same installation, because sensors could be synchronized with the wrong energy saver.

 The installation and handling of this item must be done by authorized personnel. Mainly the electrical connection should be done by qualified personnel.



TECHNICAL CHARACTERISTICS

RF mod. references:	DEREXEBF70
Description:	iSWITCH Energy saver wireless and without cards mod. DIN RAIL
Power supply:	Between 100 - 240 V~.
Consumption:	Nominal 30 mA, Máximo 50 mA (240 V~).
Frequency	50 / 60 Hz.
Output relay:	2 Relays(Dry contact with 1 contact N.O) Cutting power: 12 A, 240 V~,cos φ =1 Cutting power max in N.C contact: 12 A, 240 V~,cos φ =1
Digital Inputs:	2 dry contact digital inputs (N.O)
Dimensions:	90,2x53,30x57,50mm
Weight:	183 Grams
Box:	PC/ABS fireproof (according to norm UL94V-0)
Pilots:	Tricolour led (Amber, red and green)
Temperature range:	0º - 50º



INSTALLATION:

This energy saver is designed to be mounted in a DIN rail.
This equipment is designed to be installed in an electric panel.
All terminals will be inaccessible for the user once the energy saver is properly installed on the panel.

ELECTRICAL CONNECTIONS

